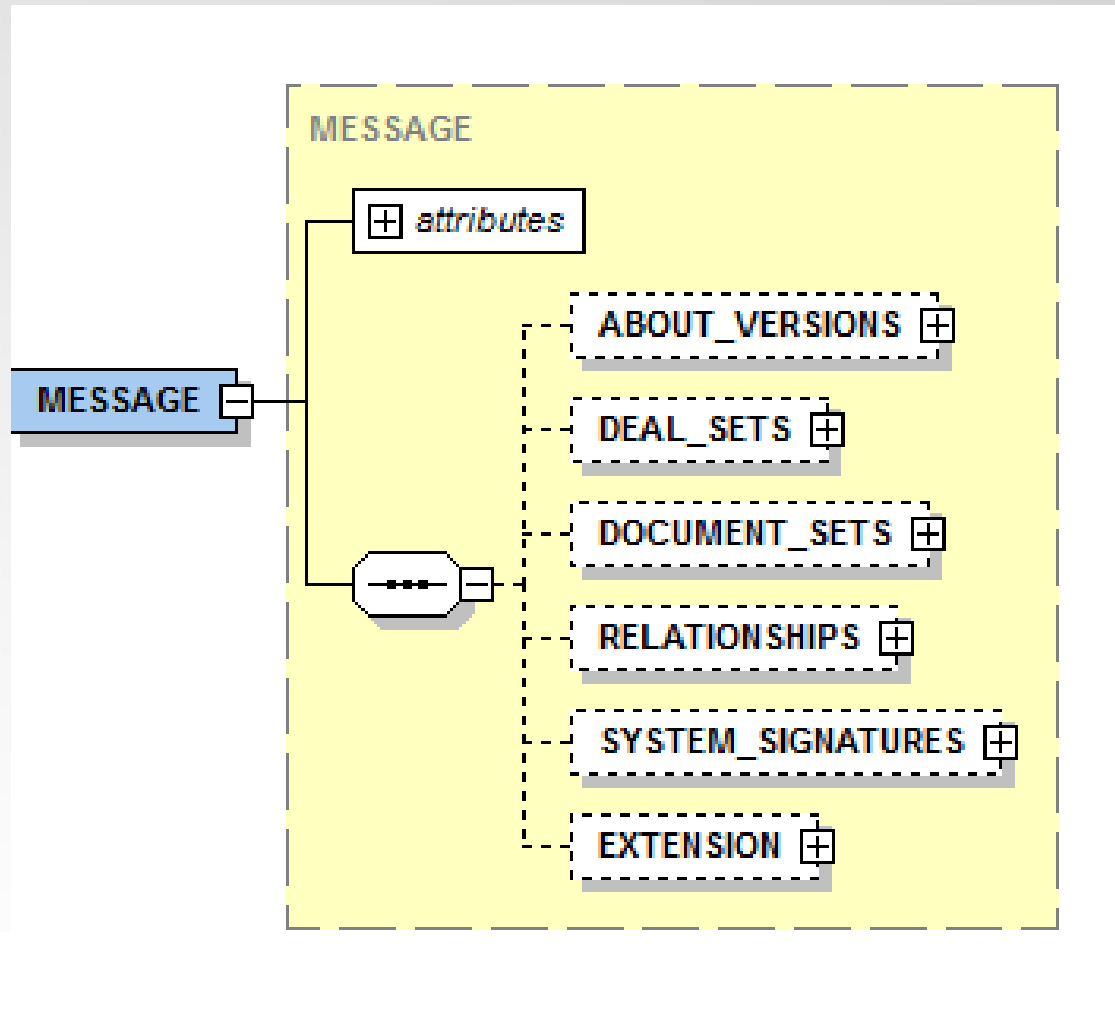


Version 3 XML Standard

*XML Workgroup
Matthew Hailstone
Arlington, VA
February 2014*

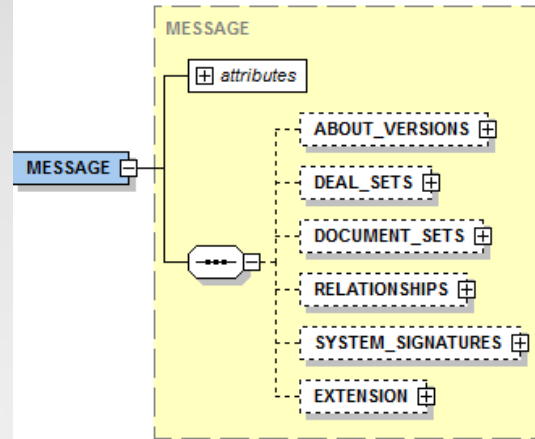
Version 3.x XML Structure - Overview



DEAL_SETS = data

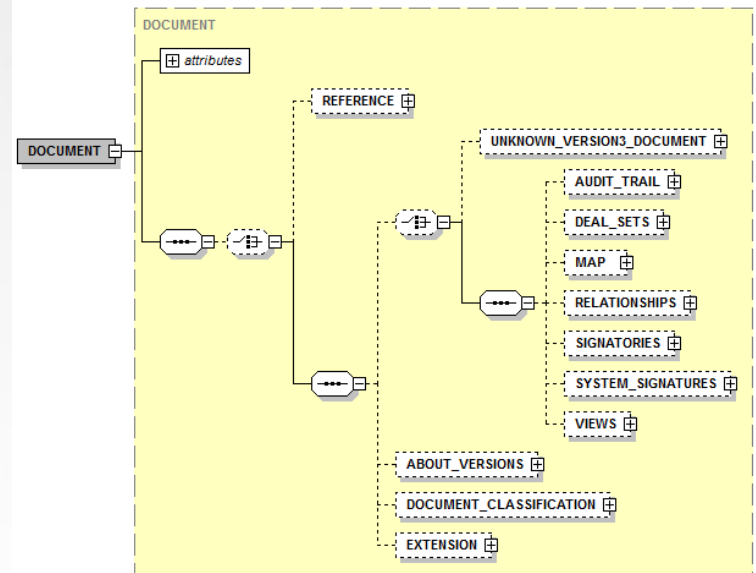
- MESSAGE data

- Submitter Party data
- Receiving Party data
- Return To Party data
- PRIA Service data



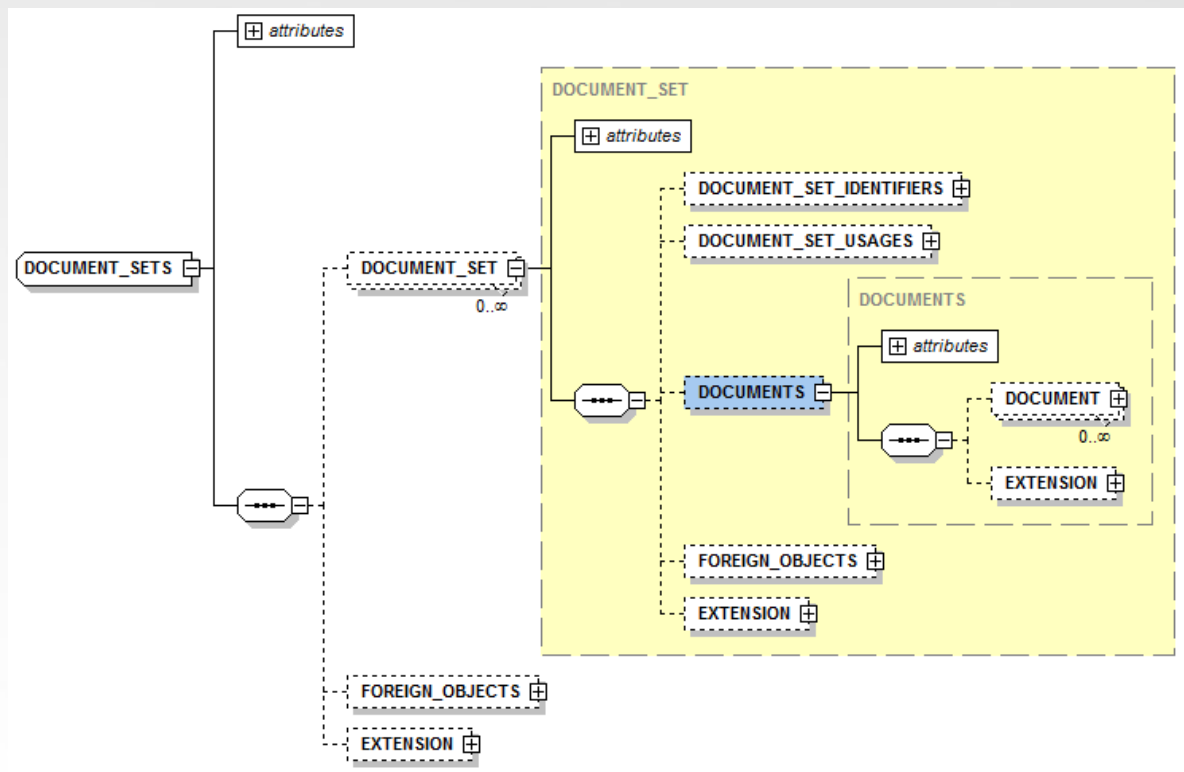
- DOCUMENT data

- Grantor/Grantee Party data
- Consideration data
- Legal description data
- Recording data



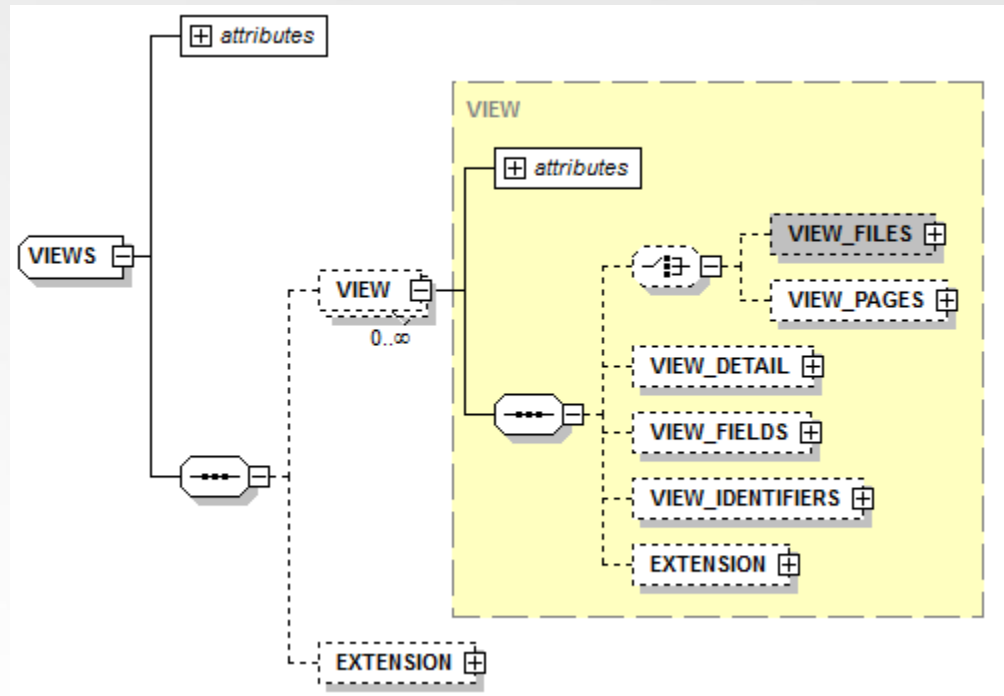
DOCUMENT_SETS = packages

- PRIA 2.4 XML defines PRIA_REQUEST/PACKAGE
- DOCUMENT_SET is similar to a PACKAGE



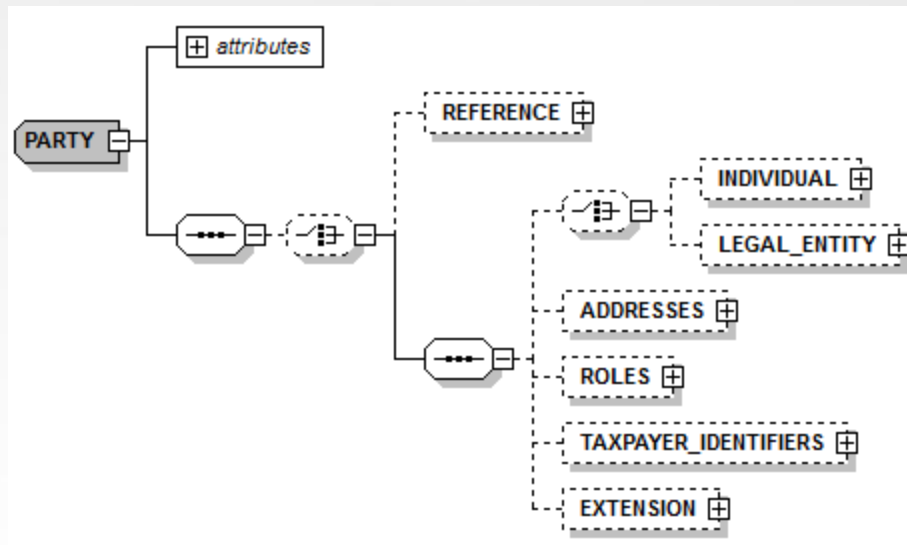
VIEW = image data

- PRIA 2.4 XML defines
PRIA_DOCUMENT/EMBEDDED_FILE
- VIEW_FILES/VIEW_FILE is similar to
EMBEDDED_FILE



ROLE = grantor/grantee

- PRIA 2.4 XML defines
PRIA_DOCUMENT/GRANTOR
- PARTY is similar to GRANTOR or GRANTEE
- PARTY/ROLES/ROLE/ROLE_DETAIL/PartyRoleType



Implementation Guide Outline

- Discuss I-Guide Outline/Use Cases
 - Single document package
 - Multiple document package
 - Multi-title document package
 - Supporting document and recordable document package

Join the XML Workgroup calls!

- Every 2nd and 4th Wednesdays
- 12:00 pm Eastern

- Contact Valerie Sprague for meeting invite
- valerie@imiae.com

PRIA[®]

Property Records Industry Association

PARTNERSHIP • KNOWLEDGE • RESULTS

Thank you

XML Workgroup Co-Chair
Matthew Hailstone
Simplifile, LC
matthew.hailstone@simplifile.com
800-460-5657



XML Workgroup Co-Chair
Nancy Sotomayor
Douglas County Clerk and Recorder
nsotomay@douglas.co.us
303-663-7644

